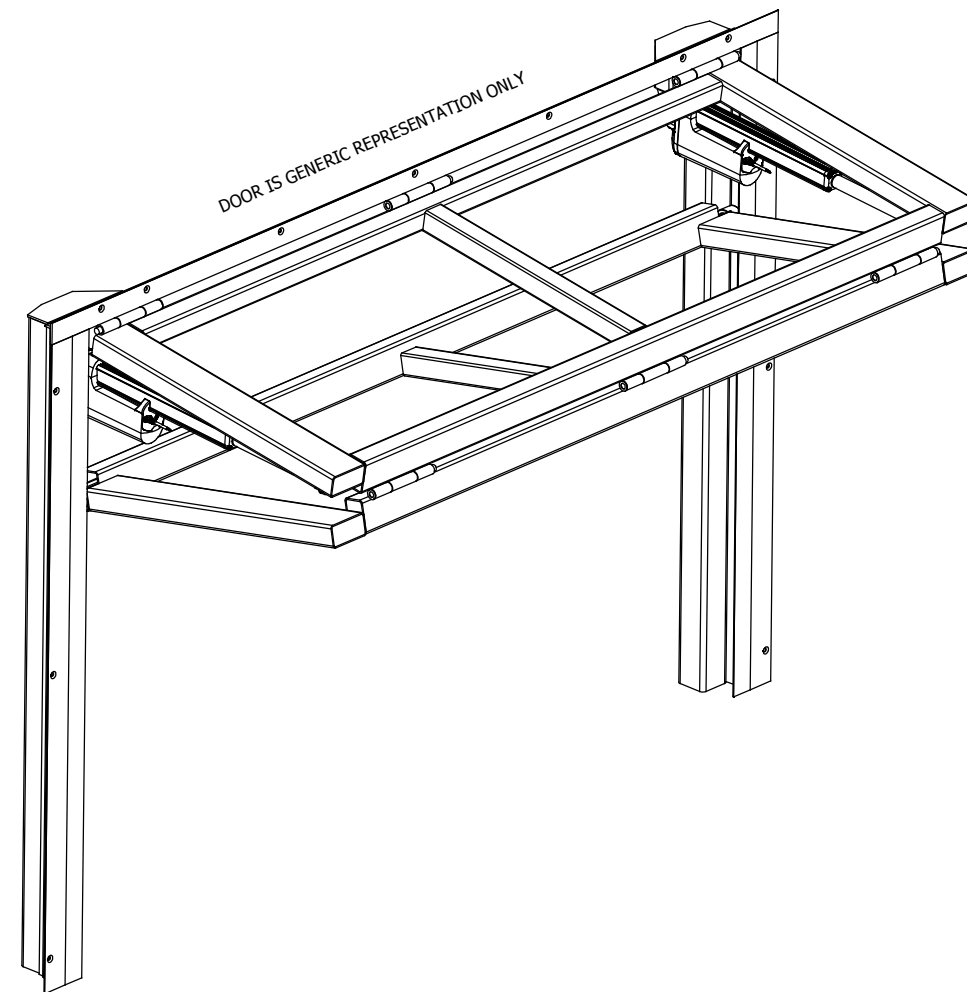


135 MCLEOD AVENUE, SOUTH
 PLATO, MN 55370
 (320) 238-2616
 INFO@CROWNDOORS.COM

SST-II BI-FOLD ELECTRICALLY- ACTUATED SYSTEM

**PRELIMINARY SAMPLE
 DRAWING
 NOT FOR CONSTRUCTION**



PROPRIETARY AND CONFIDENTIAL

THE INFORMATION CONTAINED WITHIN THIS DRAWING SET IS THE SOLE PROPERTY OF CROWN DOORS, LLC (CROWN). ANY REPRODUCTION - IN PART, OR AS A WHOLE - WITHOUT THE EXPRESSED, WRITTEN CONSENT OF CROWN DOORS, LLC IS PROHIBITED

IMPORTANT NOTICE:

ALL DIMENSIONS SHOWN ARE CRITICAL TO PROPER DOOR OPERATION. IF ANY CHANGES ARE MADE, CONTACT CROWN IMMEDIATELY. ANY CHANGES MAY INCUR ADDITIONAL CHARGES.

ALL PARTS NOT LISTED AS "BY OTHERS" TO BE PROVIDED BY CROWN.

SAMPLE DRAWINGS

- THE FOLLOWING DETAILS REPRESENT TYPICAL CONDITIONS. DETAILS/DIMENSIONS WILL VARY BETWEEN INSTALLATIONS.
- SAMPLE DRAWINGS DO NOT REPRESENT ALL AVAILABLE OPTIONS - REFER TO QUOTATION.

GENERAL NOTES

- STRUCTURAL SUPPORT (JAMBS/HEADER) BY G.C.
- INSTALLER TO CAULK AROUND MOUNTING ANGLES
- MAXIMUM ALLOWABLE RISE OF FINISHED FLOOR IS 3/8"
- CROWN RESERVES THE RIGHT TO CHANGE/IMPROVE PRODUCTS WITHOUT PRIOR NOTICE
- THE INFORMATION CONTAINED WITHIN THIS DRAWING SET IS THE SOLE PROPERTY OF CROWN. ANY REPRODUCTION - IN PART, OR AS A WHOLE - WITHOUT THE EXPRESSED, WRITTEN PERMISSION OF CROWN IS PROHIBITED
- CROWN WILL NOT BE HELD RESPONSIBLE FOR CODE VIOLATIONS

LATERAL DRIFT AND VERTICAL DEFLECTION:

TO MAINTAIN NORMAL OPERATION OF THE DOOR/WINDOW SYSTEM, MID-HEADER DOWNWARD DEFLECTION LIMIT AND LATERAL DRIFT LIMIT OF SURROUNDING STRUCTURE IS 3/8". MAXIMUM ALLOWABLE RISE OF FINISHED FLOOR BETWEEN JAMBS IS 1/4".

STEEL MEMBERS:

STEEL TUBE FRAME MEMBERS VARY IN SIZE, DEPENDING UPON ROUGH OPENING DIMENSIONS AND COVERING/CLADDING WEIGHT. LARGER OPENINGS AND HEAVIER COVERING OR CLADDING WILL REQUIRE LARGER STEEL COMPONENTS.

TOLERANCE: TOLERANCE FOR LOCATION OF VERTICAL AND HORIZONTAL STEEL TUBE MEMBERS IS 1/8"

IMPORTANT NOTE: DO NOT PRE-DRILL ROUGH OPENING

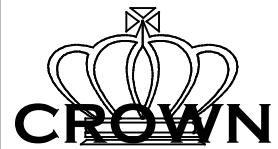
PROPRIETARY AND CONFIDENTIAL

THE INFORMATION CONTAINED WITHIN THIS DRAWING SET IS THE SOLE PROPERTY OF CROWN DOORS, LLC (CROWN). ANY REPRODUCTION - IN PART, OR AS A WHOLE - WITHOUT THE EXPRESSED, WRITTEN CONSENT OF CROWN DOORS, LLC IS PROHIBITED

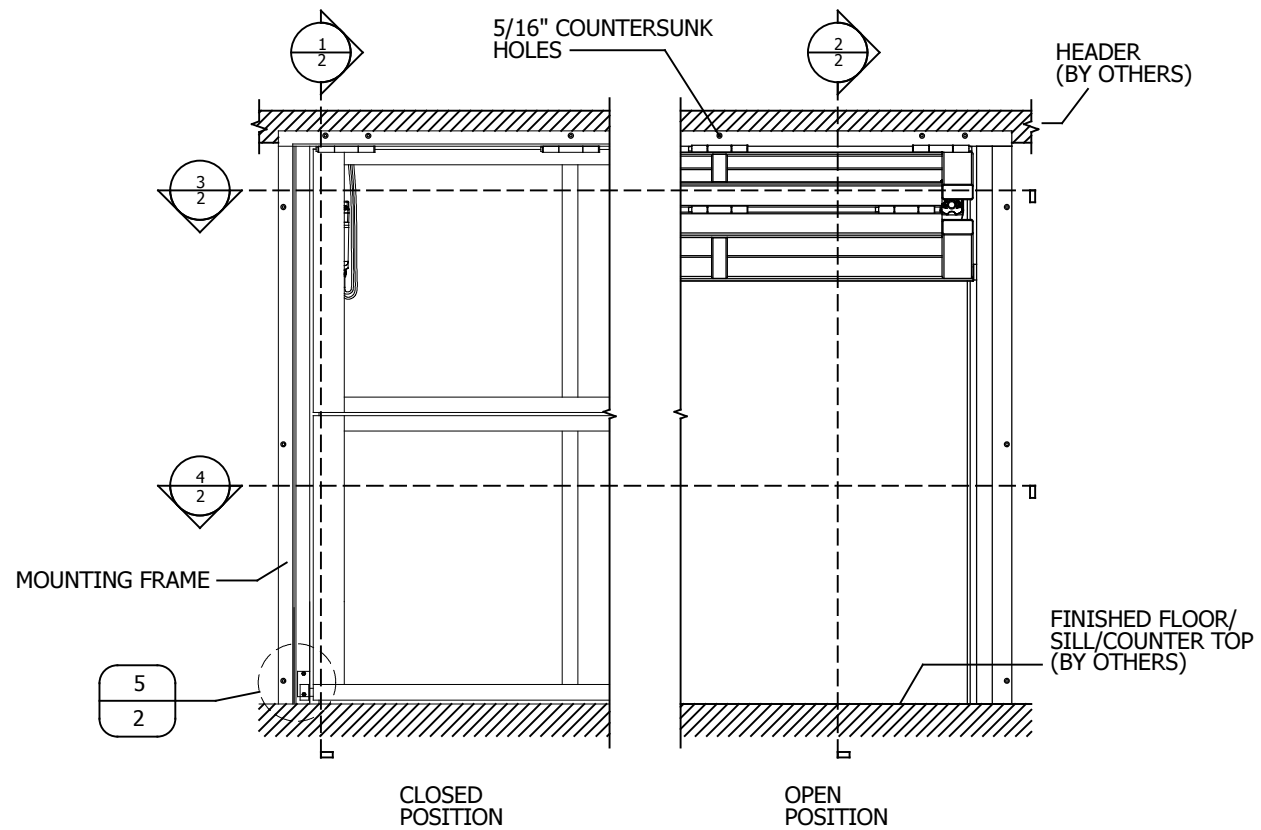
IMPORTANT NOTICE:

ALL DIMENSIONS SHOWN ARE CRITICAL TO PROPER DOOR OPERATION. IF ANY CHANGES ARE MADE, CONTACT CROWN IMMEDIATELY. ANY CHANGES MAY INCUR ADDITIONAL CHARGES.

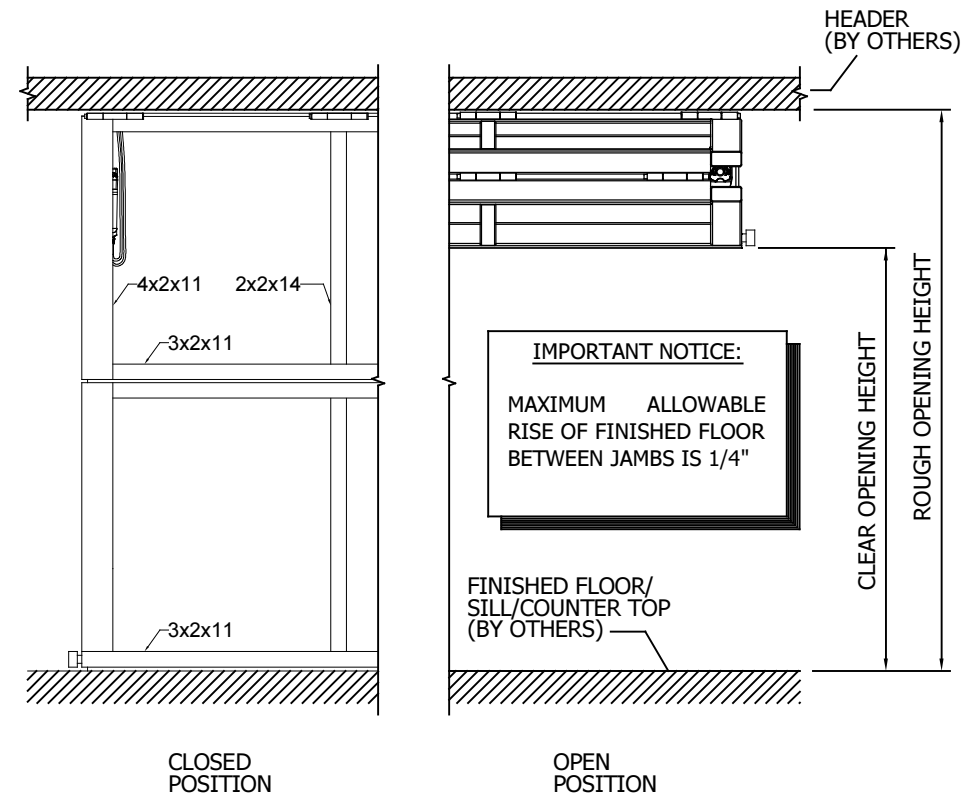
ALL PARTS NOT LISTED AS "BY OTHERS" TO BE PROVIDED BY CROWN.



SAMPLE DRAWING



1 DOOR PANEL w/FRAME - EXTERIOR VIEW
NO SCALE



2 DOOR PANEL - EXTERIOR VIEW
NO SCALE

**SST-II BI-FOLD ELECTRIC SYSTEM
CROWN DOORS, LLC
PLATO, MINNESOTA, 55370**

MODEL: SSe
DRAWN: 6/2018

LATERAL DRIFT AND VERTICAL DEFLECTION:

TO MAINTAIN NORMAL OPERATION OF THE DOOR/WINDOW SYSTEM, MID-HEADER DOWNWARD DEFLECTION LIMIT AND LATERAL DRIFT LIMIT OF SURROUNDING STRUCTURE IS 3/8". MAXIMUM ALLOWABLE RISE OF FINISHED FLOOR BETWEEN JAMBS IS 1/4".

TOLERANCE: TOLERANCE FOR LOCATION OF VERTICAL AND HORIZONTAL STEEL TUBE MEMBERS IS 1/8"

IMPORTANT NOTE: DO NOT PRE-DRILL ROUGH OPENING

NOTES:

APPROX. SYSTEM WEIGHT W/ACTUATORS:	9 LBS. P.S.F.
COVERING SYSTEM WEIGHT:	VARIES
APPROX. TOTAL DOOR PANEL WEIGHT w/COVERING:	TBD
STD. ELECTRICAL REQUIREMENTS:	110-120v, 1-PH
STD. WIND LOAD:	90 MPH EXP. C
APPROX. DOOR OPEN SPEED:	APPRX. 8-9' PER MIN.
STD. FINISH:	GRAY ZINC, POWDER-BASED, EPOXY PRIMER
OPTIONAL FINISH:	RAL POWDER FINISH COAT

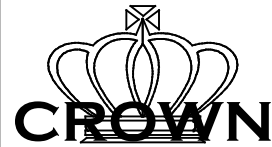
PROPRIETARY AND CONFIDENTIAL

THE INFORMATION CONTAINED WITHIN THIS DRAWING SET IS THE SOLE PROPERTY OF CROWN DOORS, LLC (CROWN). ANY REPRODUCTION - IN PART, OR AS A WHOLE - WITHOUT THE EXPRESSED, WRITTEN CONSENT OF CROWN DOORS, LLC IS PROHIBITED

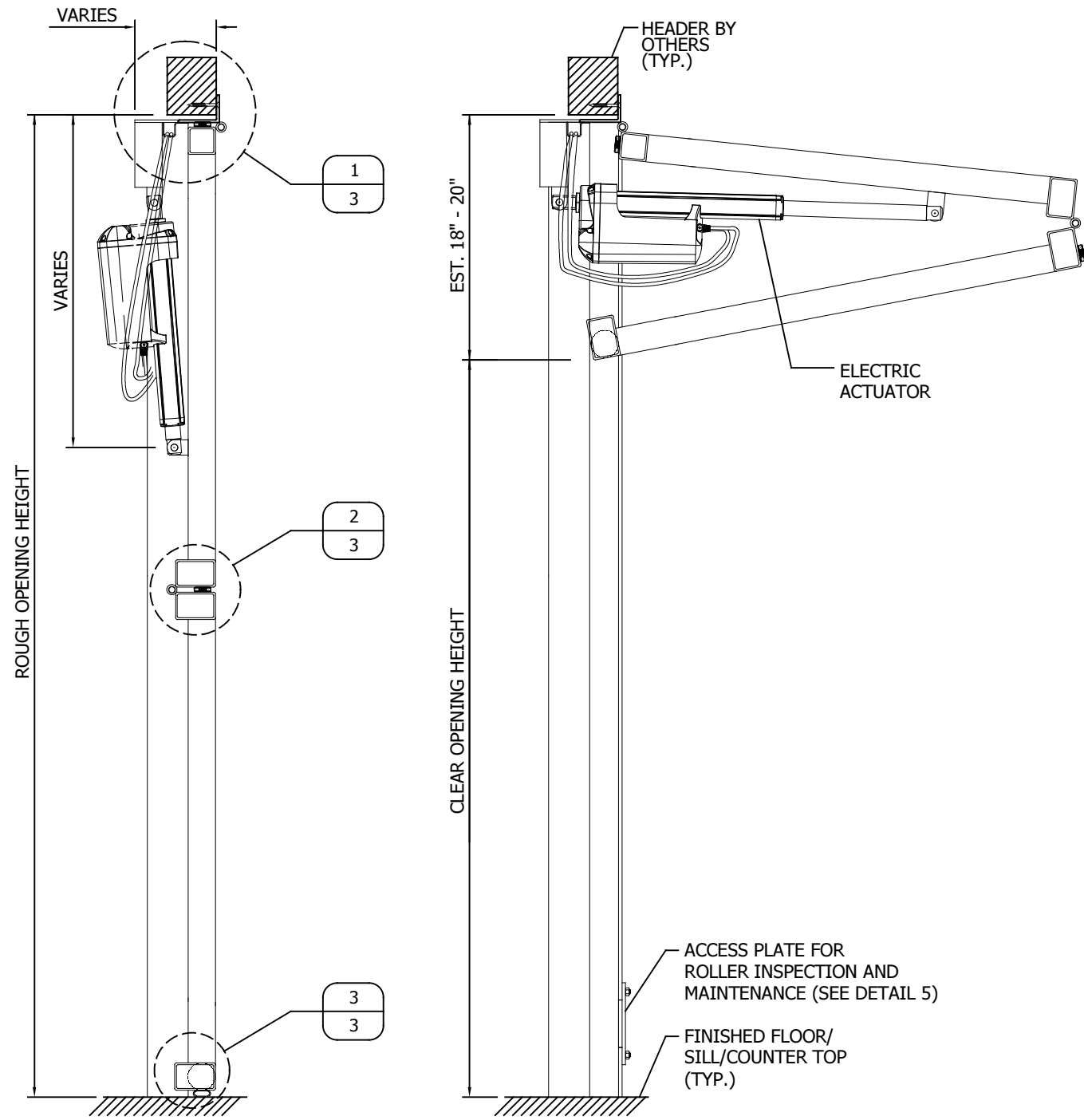
IMPORTANT NOTICE:

ALL DIMENSIONS SHOWN ARE CRITICAL TO PROPER DOOR OPERATION. IF ANY CHANGES ARE MADE, CONTACT CROWN IMMEDIATELY. ANY CHANGES MAY INCUR ADDITIONAL CHARGES.

ALL PARTS NOT LISTED AS "BY OTHERS" TO BE PROVIDED BY CROWN.

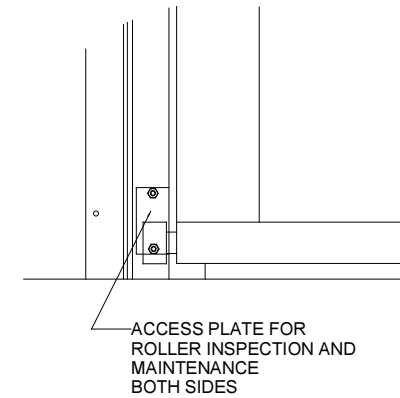


SAMPLE DRAWING

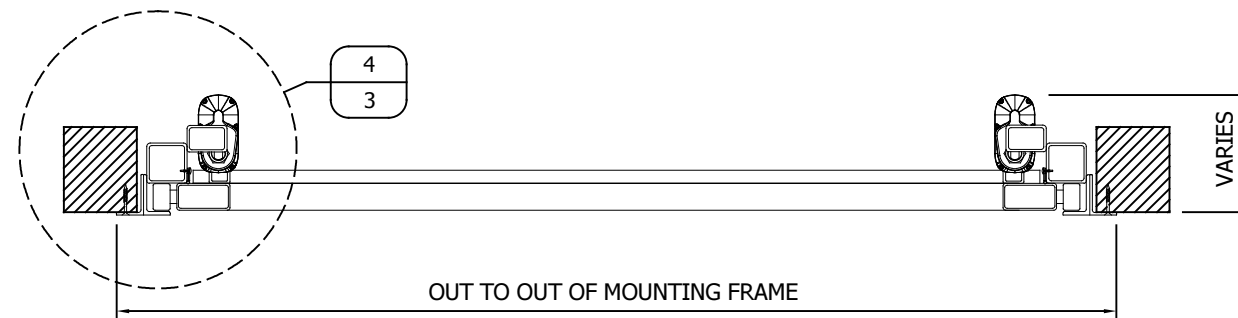


1 VERTICAL SECTION
NO SCALE

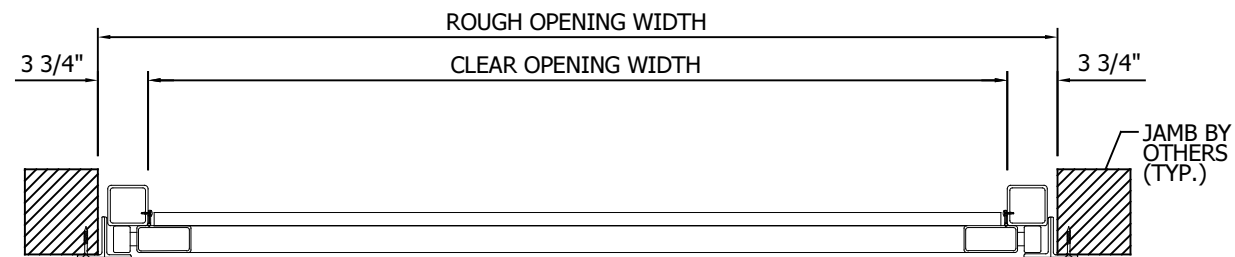
2 VERTICAL SECTION
NO SCALE



5 ROLLER PLATE ACCESS
NO SCALE



3 SECTION VIEW
NO SCALE

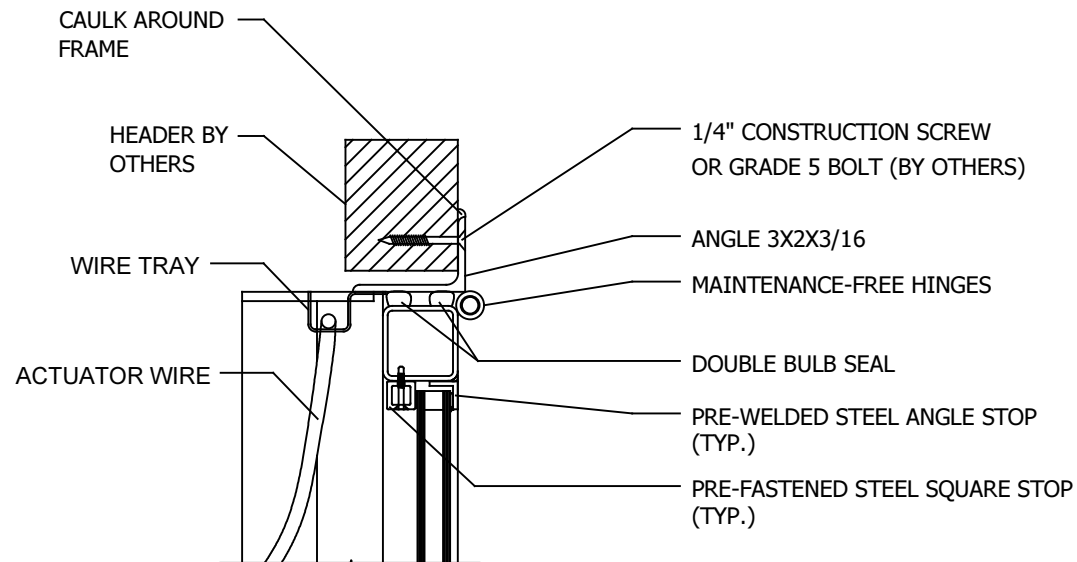


4 SECTION VIEW
NO SCALE

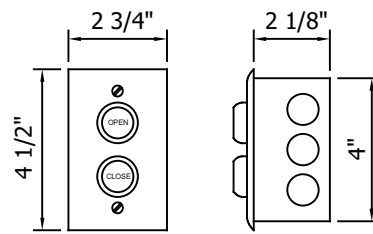
SST-II BI-FOLD ELECTRIC SYSTEM
CROWN DOORS, LLC
PLATO, MINNESOTA, 55370

MODEL: SSe
DRAWN: 6/2018

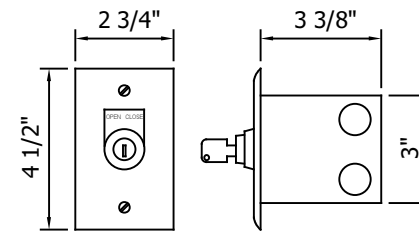
SHEET: **2.0**



1 SECTION VIEW @ HEAD
NO SCALE



FLUSH-MOUNT, CONSTANT-CONTACT 2BUTTON W/STAINLESS COVER (STANDARD)



FLUSH-MOUNT, CONSTANT-HOLD KEY SWITCH W/STAINLESS COVER (STANDARD)

5 CONTROL OPTIONS
NO SCALE

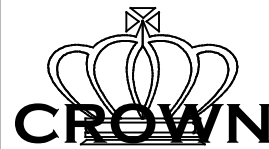
PROPRIETARY AND CONFIDENTIAL

THE INFORMATION CONTAINED WITHIN THIS DRAWING SET IS THE SOLE PROPERTY OF CROWN DOORS, LLC (CROWN). ANY REPRODUCTION - IN PART, OR AS A WHOLE - WITHOUT THE EXPRESSED, WRITTEN CONSENT OF CROWN DOORS, LLC IS PROHIBITED

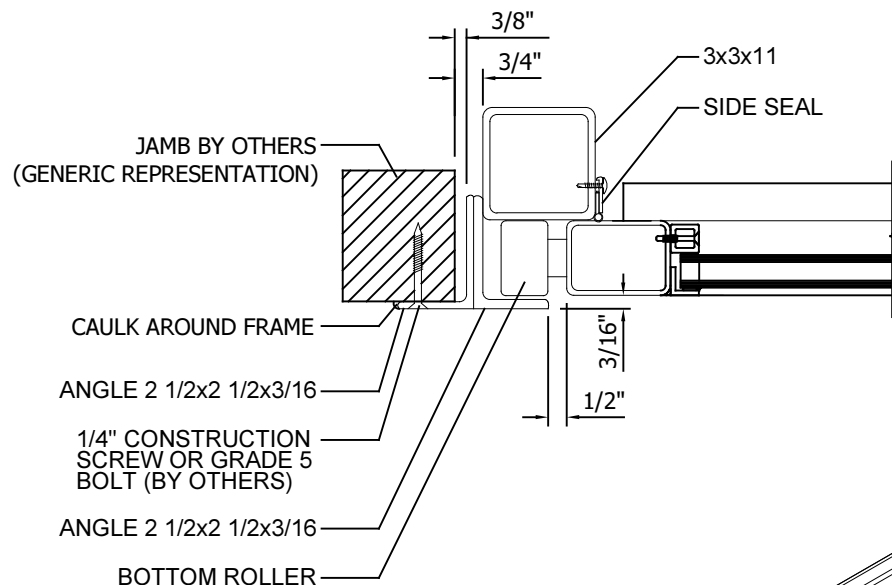
IMPORTANT NOTICE:

ALL DIMENSIONS SHOWN ARE CRITICAL TO PROPER DOOR OPERATION. IF ANY CHANGES ARE MADE, CONTACT CROWN IMMEDIATELY. ANY CHANGES MAY INCUR ADDITIONAL CHARGES.

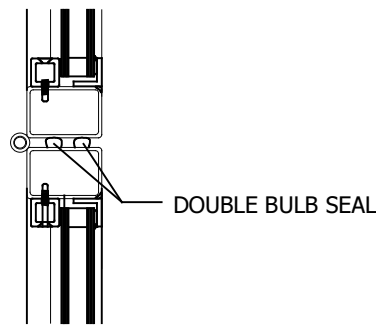
ALL PARTS NOT LISTED AS "BY OTHERS" TO BE PROVIDED BY CROWN.



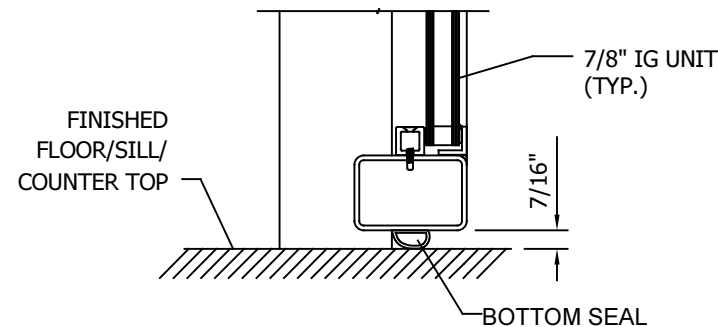
SAMPLE DRAWING



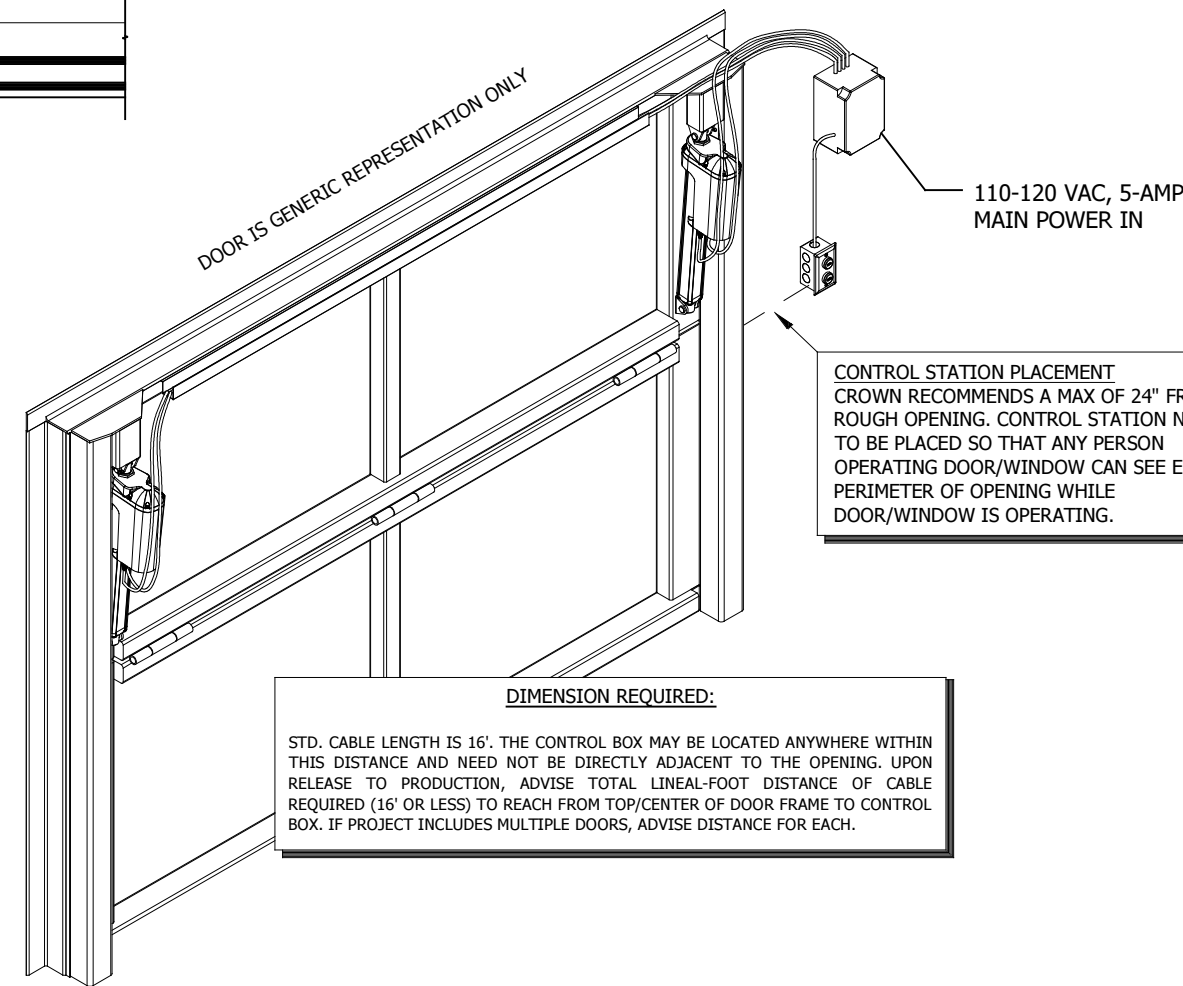
4 SECTION VIEW @ JAMB
NO SCALE



2 SECTION VIEW @ MID-HINGE
NO SCALE



3 SECTION VIEW @ BASE
NO SCALE



6 SECTION VIEW @ BASE
NO SCALE

SST-II BI-FOLD ELECTRIC SYSTEM
CROWN DOORS, LLC
PLATO, MINNESOTA, 55370

MODEL: SSe
DRAWN: 6/2018

SHEET: **3.0**