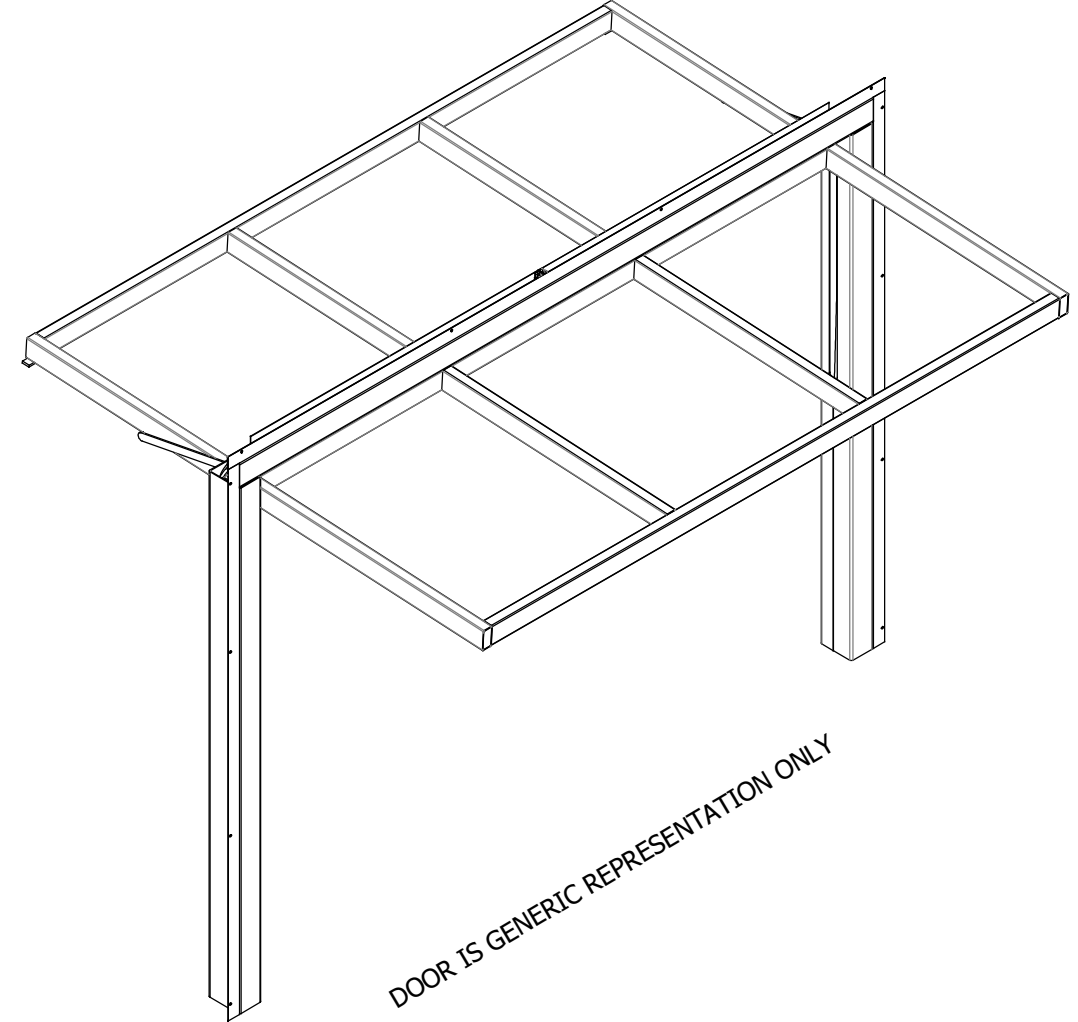


135 MCLEOD AVENUE, SOUTH  
 PLATO, MN 55370  
 (320) 238-2616  
 INFO@CROWNDOORS.COM

## 50/50 HYDRAULIC SYSTEM



DOOR IS GENERIC REPRESENTATION ONLY

**PRELIMINARY  
 NOT FOR CONSTRUCTION**

**PROPRIETARY AND CONFIDENTIAL**  
 THE INFORMATION CONTAINED WITHIN THIS DRAWING SET IS THE SOLE PROPERTY OF CROWN DOORS, LLC (CROWN). ANY REPRODUCTION - IN PART, OR AS A WHOLE - WITHOUT THE EXPRESSED, WRITTEN CONSENT OF CROWN DOORS, LLC IS PROHIBITED

**IMPORTANT NOTICE:**  
 ALL DIMENSIONS SHOWN ARE CRITICAL TO PROPER DOOR OPERATION. IF ANY CHANGES ARE MADE, CONTACT CROWN IMMEDIATELY. ANY CHANGES MAY INCUR ADDITIONAL CHARGES.

ALL PARTS NOT LISTED AS "BY OTHERS" TO BE PROVIDED BY CROWN.

**SAMPLE DRAWINGS**

- THE FOLLOWING DETAILS REPRESENT TYPICAL CONDITIONS. DETAILS/DIMENSIONS WILL VARY BETWEEN INSTALLATIONS.
- SAMPLE DRAWINGS DO NOT REPRESENT ALL AVAILABLE OPTIONS - REFER TO QUOTATION.

**GENERAL NOTES**

- STRUCTURAL SUPPORT (JAMBS/HEADER) BY G.C.
- INSTALLER TO CAULK AROUND MOUNTING ANGLES
- MAXIMUM ALLOWABLE RISE OF FINISHED FLOOR IS 3/8"
- CROWN RESERVES THE RIGHT TO CHANGE/IMPROVE PRODUCTS WITHOUT PRIOR NOTICE
- THE INFORMATION CONTAINED WITHIN THIS DRAWING SET IS THE SOLE PROPERTY OF CROWN. ANY REPRODUCTION - IN PART, OR AS A WHOLE - WITHOUT THE EXPRESSED, WRITTEN PERMISSION OF CROWN IS PROHIBITED
- CROWN WILL NOT BE HELD RESPONSIBLE FOR CODE VIOLATIONS

**LATERAL DRIFT AND VERTICAL DEFLECTION:**

TO MAINTAIN NORMAL OPERATION OF THE DOOR/WINDOW SYSTEM, MID-HEADER DOWNWARD DEFLECTION LIMIT AND LATERAL DRIFT LIMIT OF SURROUNDING STRUCTURE IS 3/8". MAXIMUM ALLOWABLE RISE OF FINISHED FLOOR BETWEEN JAMBS IS 3/8".

**STEEL MEMBERS:**

STEEL TUBE FRAME MEMBERS VARY IN SIZE, DEPENDING UPON ROUGH OPENING DIMENSIONS AND COVERING/CLADDING WEIGHT. LARGER OPENINGS AND HEAVIER COVERING OR CLADDING WILL REQUIRE LARGER STEEL COMPONENTS.

**TOLERANCE:** TOLERANCE FOR LOCATION OF VERTICAL AND HORIZONTAL STEEL TUBE MEMBERS IS 1/8"

**IMPORTANT NOTE:** DO NOT PRE-DRILL ROUGH OPENING

**PROPRIETARY AND CONFIDENTIAL**

THE INFORMATION CONTAINED WITHIN THIS DRAWING SET IS THE SOLE PROPERTY OF CROWN DOORS, LLC (CROWN). ANY REPRODUCTION - IN PART, OR AS A WHOLE - WITHOUT THE EXPRESSED, WRITTEN CONSENT OF CROWN DOORS, LLC IS PROHIBITED

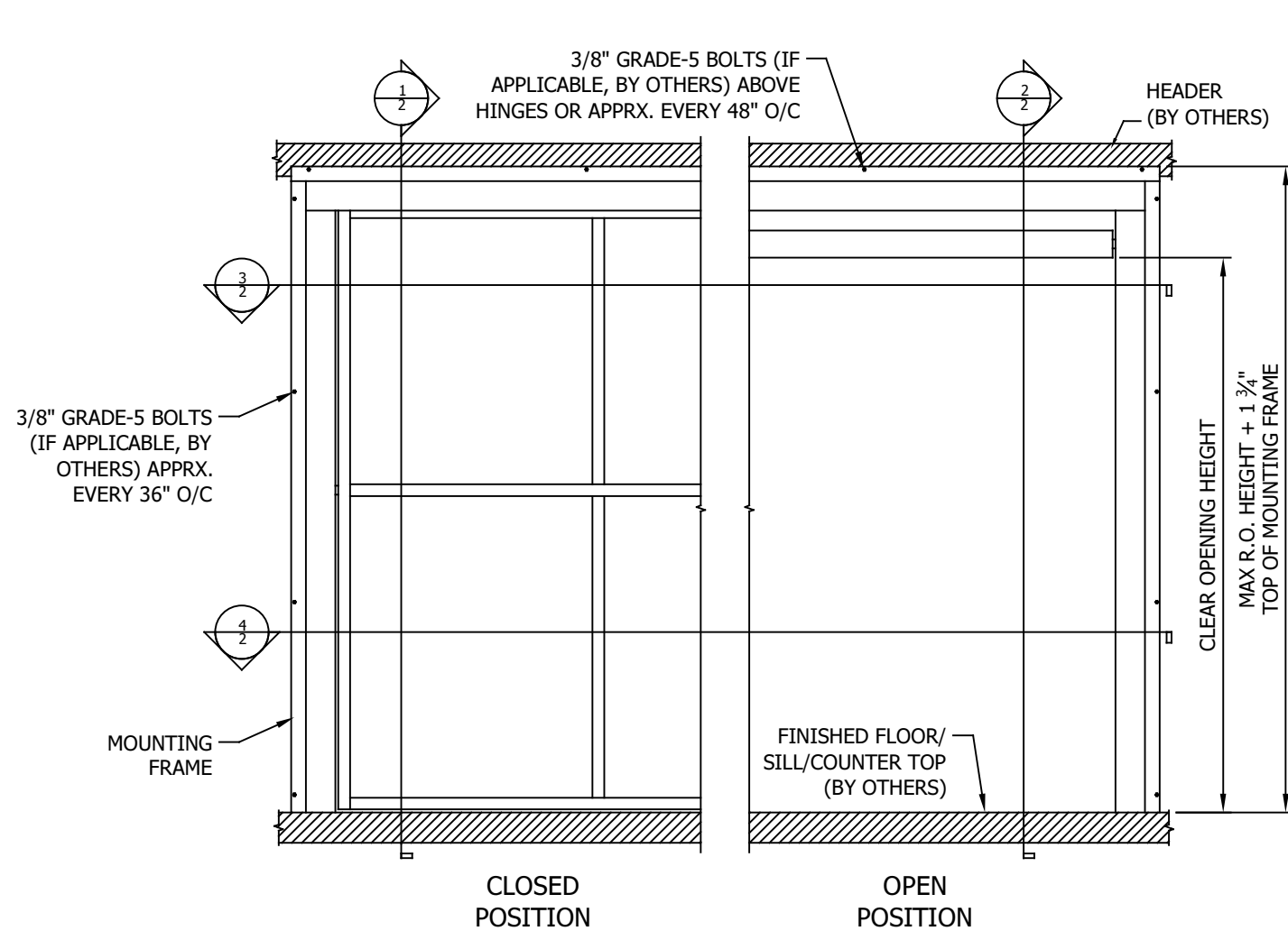
**IMPORTANT NOTICE:**

ALL DIMENSIONS SHOWN ARE CRITICAL TO PROPER DOOR OPERATION. IF ANY CHANGES ARE MADE, CONTACT CROWN IMMEDIATELY. ANY CHANGES MAY INCUR ADDITIONAL CHARGES.

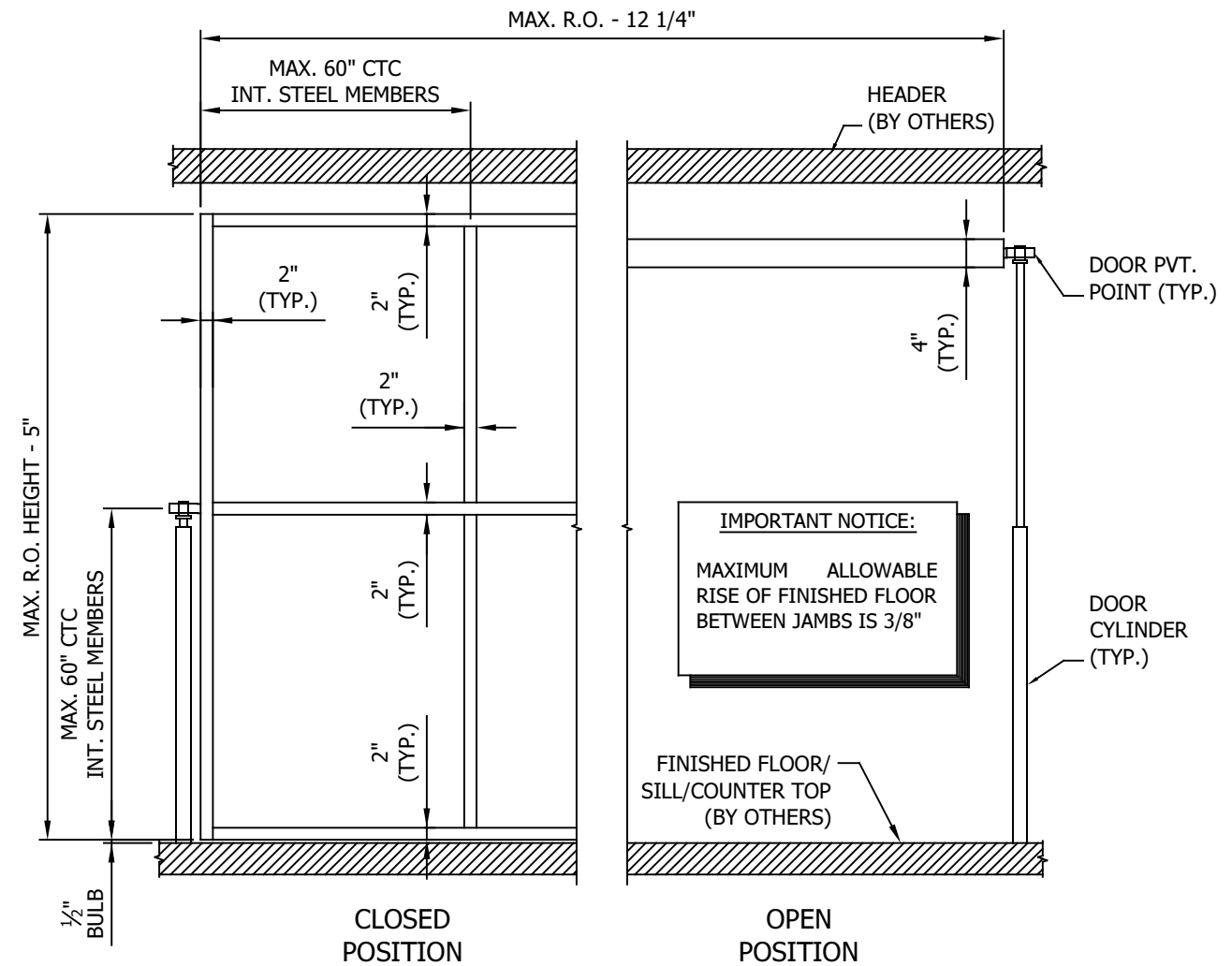
ALL PARTS NOT LISTED AS "BY OTHERS" TO BE PROVIDED BY CROWN.



**SAMPLE DRAWING**



**1 DOOR PANEL w/FRAME - EXTERIOR VIEW**  
NO SCALE



**2 DOOR PANEL - EXTERIOR VIEW**  
NO SCALE

**50/50 HYDRAULIC SYSTEM**  
**CROWN DOORS, LLC**  
PLATO, MINNESOTA, 55370

MODEL: 50/50  
DRAWN: 6/2018

SHEET: **1.0**

**LATERAL DRIFT AND VERTICAL DEFLECTION:**

TO MAINTAIN NORMAL OPERATION OF THE DOOR/WINDOW SYSTEM, MID-HEADER DOWNWARD DEFLECTION LIMIT AND LATERAL DRIFT LIMIT OF SURROUNDING STRUCTURE IS 3/8". MAXIMUM ALLOWABLE RISE OF FINISHED FLOOR BETWEEN JAMBS IS 3/8".

**TOLERANCE:** TOLERANCE FOR LOCATION OF VERTICAL AND HORIZONTAL STEEL TUBE MEMBERS IS 1/8"

**IMPORTANT NOTE:** DO NOT PRE-DRILL ROUGH OPENING

**NOTES:**

APPROX. SYSTEM WEIGHT W/CYLINDERS:	9 LBS. P.S.F.
COVERING SYSTEM WEIGHT:	VARIES
APPROX. TOTAL DOOR PANEL WEIGHT w/COVERING:	TBD
STD. ELECTRICAL REQUIREMENTS:	208-230v, 1-PH
MOTOR:	TBD
POWER UNIT:	TBD
STD. WIND LOAD:	90 MPH EXP. C
APPROX. DOOR OPEN SPEED:	TYP. 14-15' PER MIN.
CYLINDER:	TBD
STD. FINISH:	RED-OXIDE, PRIMED
OPTIONAL FINISH:	RAL POWDER-COAT

**PROPRIETARY AND CONFIDENTIAL**

THE INFORMATION CONTAINED WITHIN THIS DRAWING SET IS THE SOLE PROPERTY OF CROWN DOORS, LLC (CROWN). ANY REPRODUCTION - IN PART, OR AS A WHOLE - WITHOUT THE EXPRESSED, WRITTEN CONSENT OF CROWN DOORS, LLC IS PROHIBITED

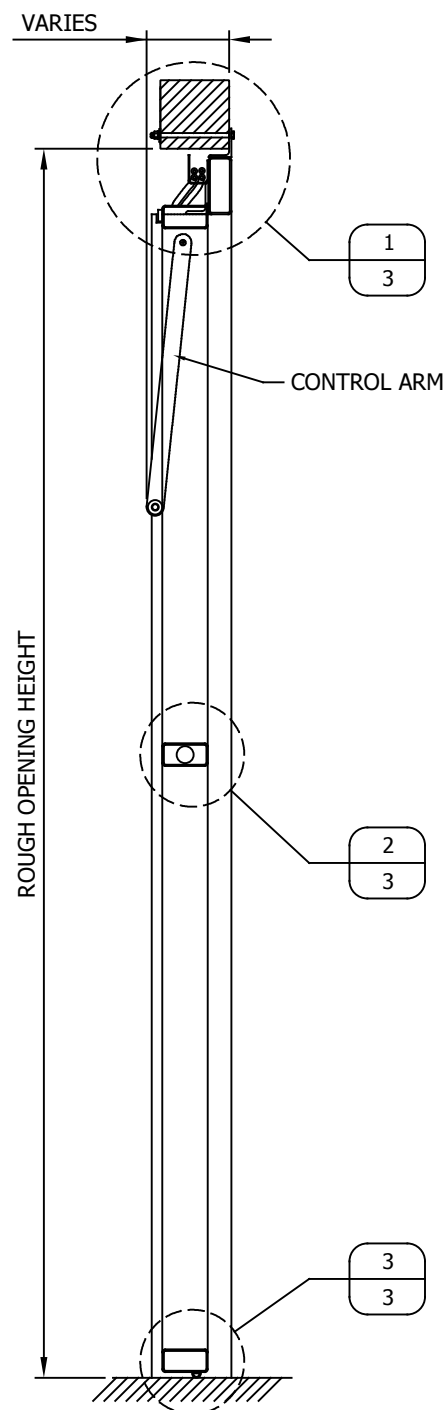
**IMPORTANT NOTICE:**

ALL DIMENSIONS SHOWN ARE CRITICAL TO PROPER DOOR OPERATION. IF ANY CHANGES ARE MADE, CONTACT CROWN IMMEDIATELY. ANY CHANGES MAY INCUR ADDITIONAL CHARGES.

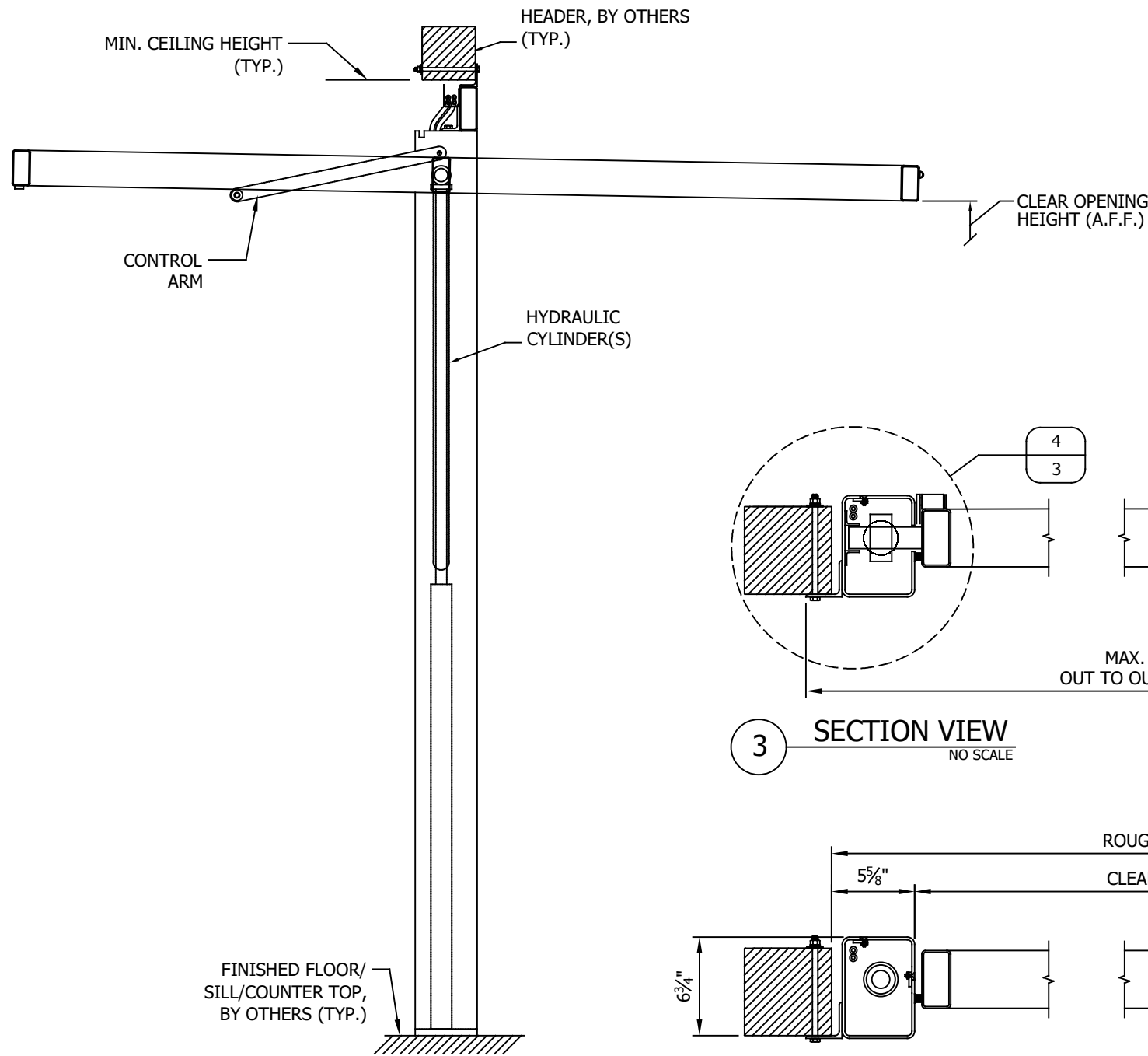
ALL PARTS NOT LISTED AS "BY OTHERS" TO BE PROVIDED BY CROWN.



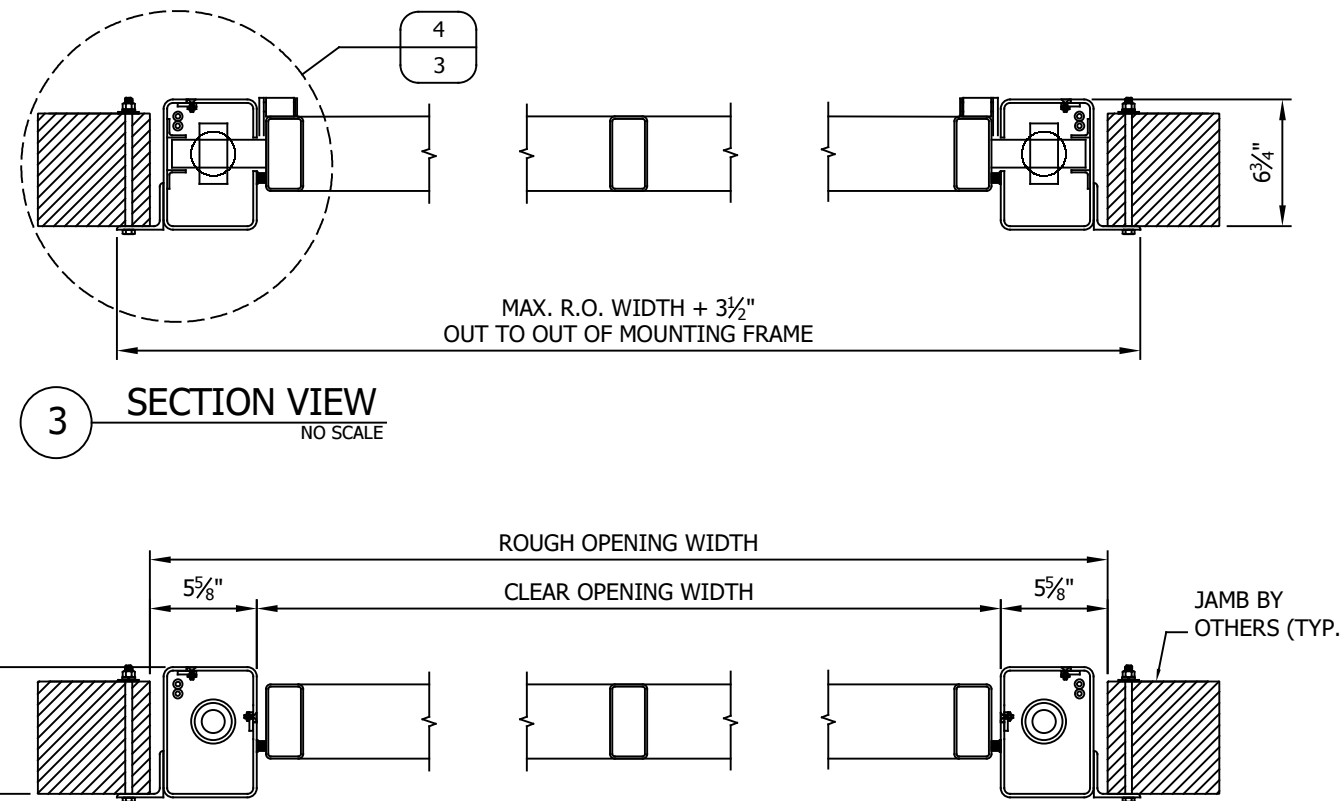
**SAMPLE DRAWING**



**1 VERTICAL SECTION**  
NO SCALE



**2 VERTICAL SECTION**  
NO SCALE



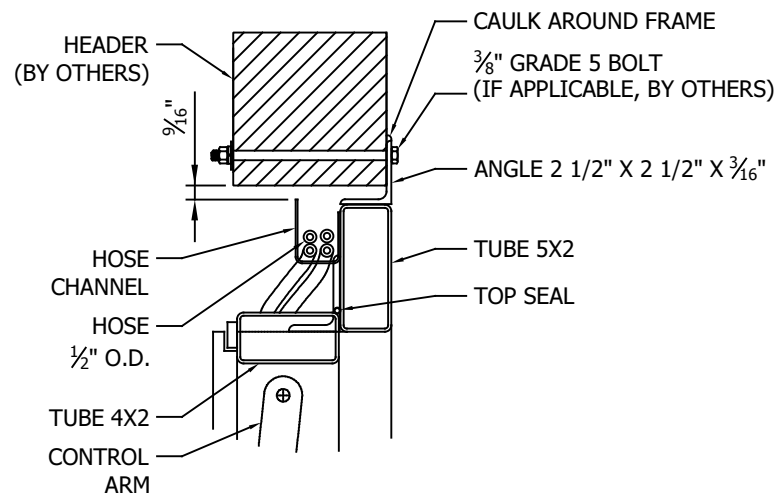
**3 SECTION VIEW**  
NO SCALE

**4 SECTION VIEW**  
NO SCALE

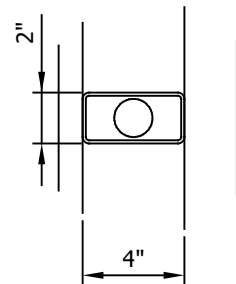
**50/50 HYDRAULIC SYSTEM**  
**CROWN DOORS, LLC**  
PLATO, MINNESOTA, 55370

MODEL: 50/50  
DRAWN: 6/2018

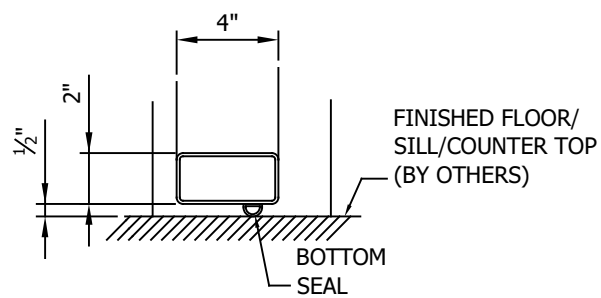
SHEET: **2.0**



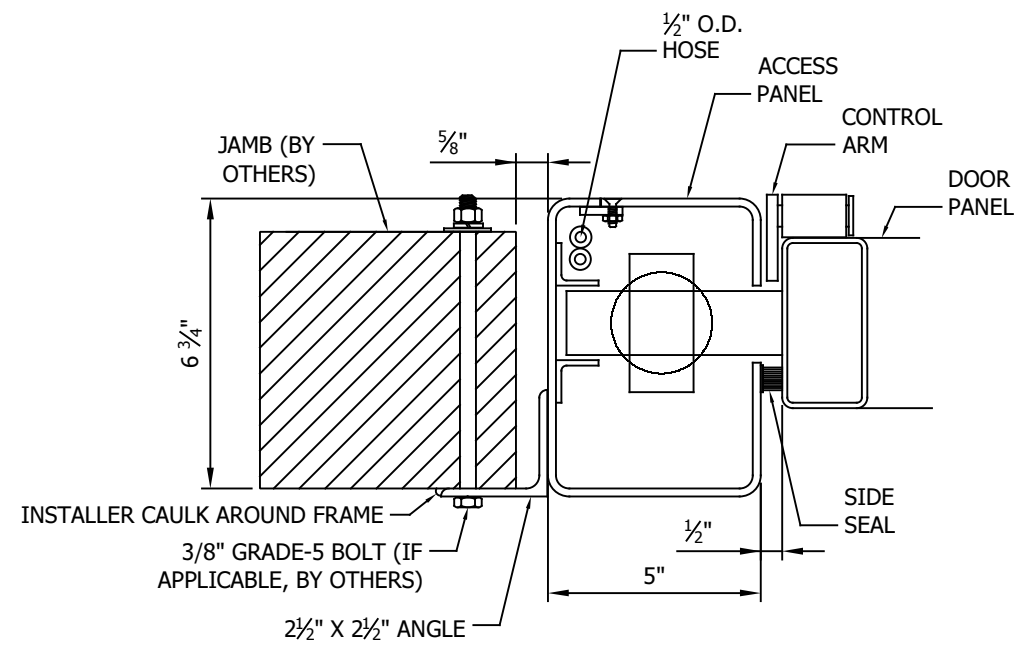
1 SECTION VIEW @ HEAD  
NO SCALE



2 SECTION VIEW @ INT. HORIZONTAL  
NO SCALE



3 SECTION VIEW @ BASE  
NO SCALE



4 SECTION VIEW @ JAMB  
NO SCALE

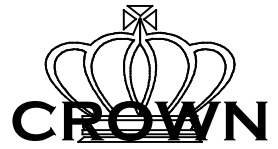
PROPRIETARY AND CONFIDENTIAL

THE INFORMATION CONTAINED WITHIN THIS DRAWING SET IS THE SOLE PROPERTY OF CROWN DOORS, LLC (CROWN). ANY REPRODUCTION - IN PART, OR AS A WHOLE - WITHOUT THE EXPRESSED, WRITTEN CONSENT OF CROWN DOORS, LLC IS PROHIBITED

IMPORTANT NOTICE:

ALL DIMENSIONS SHOWN ARE CRITICAL TO PROPER DOOR OPERATION. IF ANY CHANGES ARE MADE, CONTACT CROWN IMMEDIATELY. ANY CHANGES MAY INCUR ADDITIONAL CHARGES.

ALL PARTS NOT LISTED AS "BY OTHERS" TO BE PROVIDED BY CROWN.

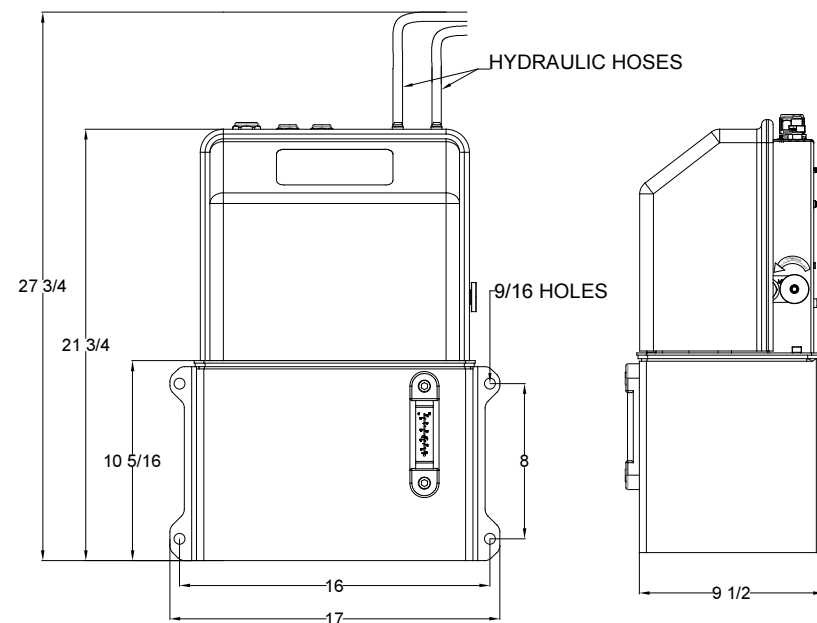


SAMPLE DRAWING

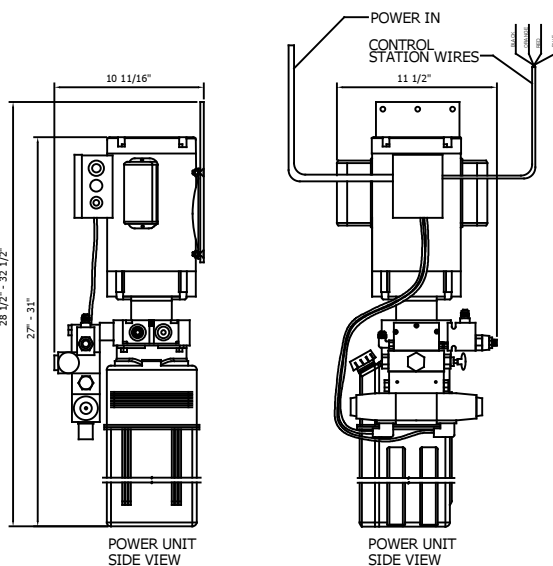
50/50 HYDRAULIC SYSTEM  
CROWN DOORS, LLC  
PLATO, MINNESOTA, 55370

MODEL: 50/50  
DRAWN: 6/2018

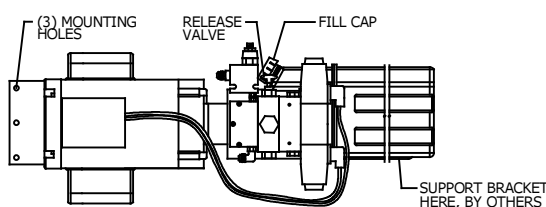
SHEET: 3.0



1 STANDARD MOTOR UNIT - ENCLOSED  
NO SCALE

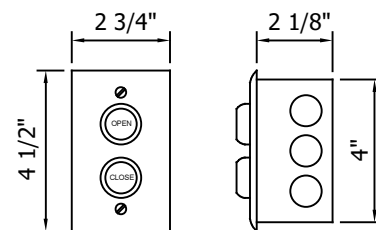


2 OPTIONAL - AUX. MOTOR UNIT - VERT. POS.  
NO SCALE

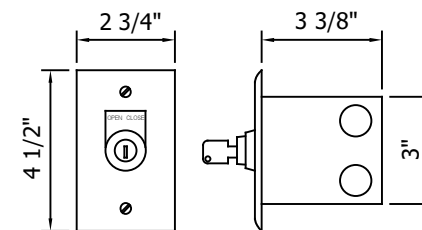


3 OPTIONAL - AUX. MOTOR UNIT - HORIZ. POS.  
NO SCALE

**MOTOR OPTIONS**  
STD. MOTOR UNIT IS ENCLOSED AND INCLUDES LOW-VOLTAGE CONTROL WIRING. OPTIONAL AUX. MOTOR UNIT MAY BE ORIENTED IN EITHER VERT. OR HORIZ. POSITION AND MAY BE BETTER SUITED FOR TIGHT SPACES, HOWEVER, CONTROL WIRING IS 110V.

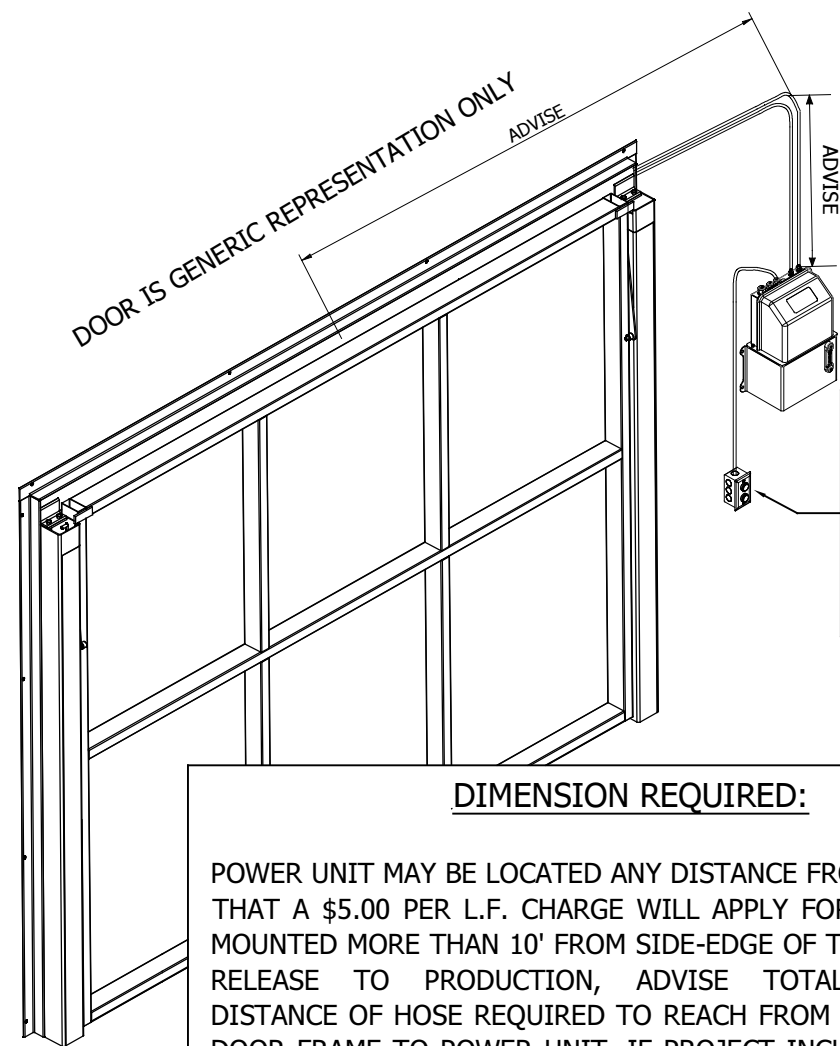


FLUSH-MOUNT, CONSTANT-CONTACT 2BUTTON  
W/STAINLESS COVER (STANDARD)



FLUSH-MOUNT, CONSTANT-HOLD KEY SWITCH  
W/STAINLESS COVER (STANDARD)

4 CONTROL OPTIONS  
NO SCALE



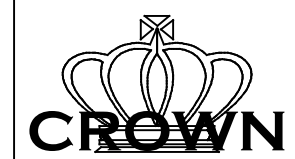
5 ISOMETRIC - INTERIOR VIEW  
NO SCALE

**DIMENSION REQUIRED:**  
POWER UNIT MAY BE LOCATED ANY DISTANCE FROM DOOR. NOTE THAT A \$5.00 PER L.F. CHARGE WILL APPLY FOR POWER UNITS MOUNTED MORE THAN 10' FROM SIDE-EDGE OF THE DOOR. UPON RELEASE TO PRODUCTION, ADVISE TOTAL LINEAL-FOOT DISTANCE OF HOSE REQUIRED TO REACH FROM TOP/CENTER OF DOOR FRAME TO POWER UNIT. IF PROJECT INCLUDES MULTIPLE DOORS, ADVISE DISTANCE FOR EACH.

**PROPRIETARY AND CONFIDENTIAL**  
THE INFORMATION CONTAINED WITHIN THIS DRAWING SET IS THE SOLE PROPERTY OF CROWN DOORS, LLC (CROWN). ANY REPRODUCTION - IN PART, OR AS A WHOLE - WITHOUT THE EXPRESSED, WRITTEN CONSENT OF CROWN DOORS, LLC IS PROHIBITED

**IMPORTANT NOTICE:**  
ALL DIMENSIONS SHOWN ARE CRITICAL TO PROPER DOOR OPERATION. IF ANY CHANGES ARE MADE, CONTACT CROWN IMMEDIATELY. ANY CHANGES MAY INCUR ADDITIONAL CHARGES.

ALL PARTS NOT LISTED AS "BY OTHERS" TO BE PROVIDED BY CROWN.



**SAMPLE  
DRAWING**

**50/50 HYDRAULIC SYSTEM**  
**CROWN DOORS, LLC**  
PLATO, MINNESOTA, 55370

MODEL: 50/50  
DRAWN: 6/2018

SHEET: **4.0**

**IMPORTANT NOTE:**

- ALL ALUMINUM RETAINER IS SHIPPED IN FULL-LENGTH PIECES, TO BE CUT TO SIZE AND/OR MITERED, IN FIELD
- DETAILS ARE FOR REPRESENTATION, ONLY, SHOWING CROWN STD. INSIDE-SASH RETAINER SYSTEM
- GLASS SHOWN IS MOST COMMON. OTHER GLASS TYPES/THICKNESSES ARE AVAILABLE

**PROPRIETARY AND CONFIDENTIAL**

THE INFORMATION CONTAINED WITHIN THIS DRAWING SET IS THE SOLE PROPERTY OF CROWN DOORS, LLC (CROWN). ANY REPRODUCTION - IN PART, OR AS A WHOLE - WITHOUT THE EXPRESSED, WRITTEN CONSENT OF CROWN DOORS, LLC IS PROHIBITED

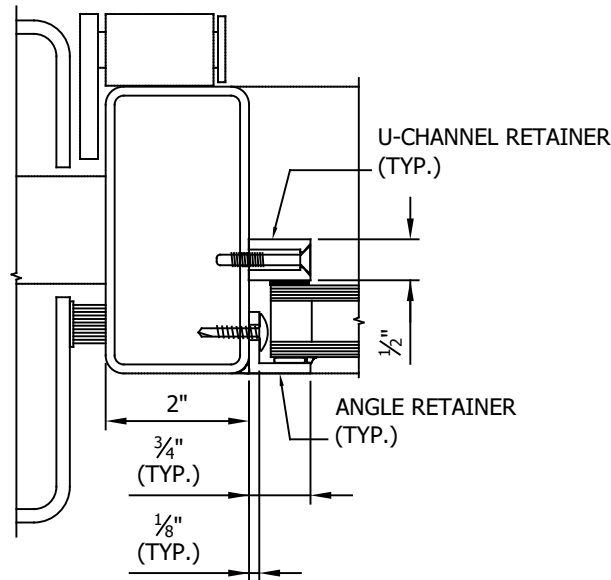
**IMPORTANT NOTICE:**

ALL DIMENSIONS SHOWN ARE CRITICAL TO PROPER DOOR OPERATION. IF ANY CHANGES ARE MADE, CONTACT CROWN IMMEDIATELY. ANY CHANGES MAY INCUR ADDITIONAL CHARGES.

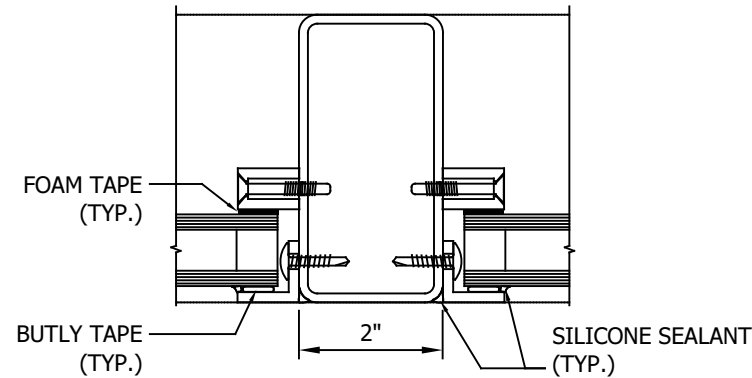
ALL PARTS NOT LISTED AS "BY OTHERS" TO BE PROVIDED BY CROWN.



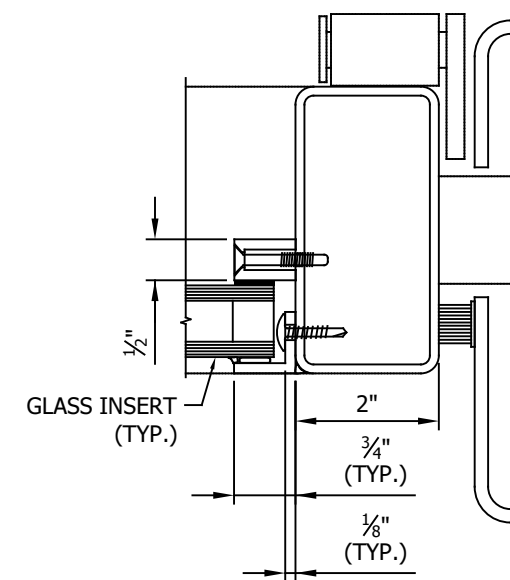
**SAMPLE DRAWING**



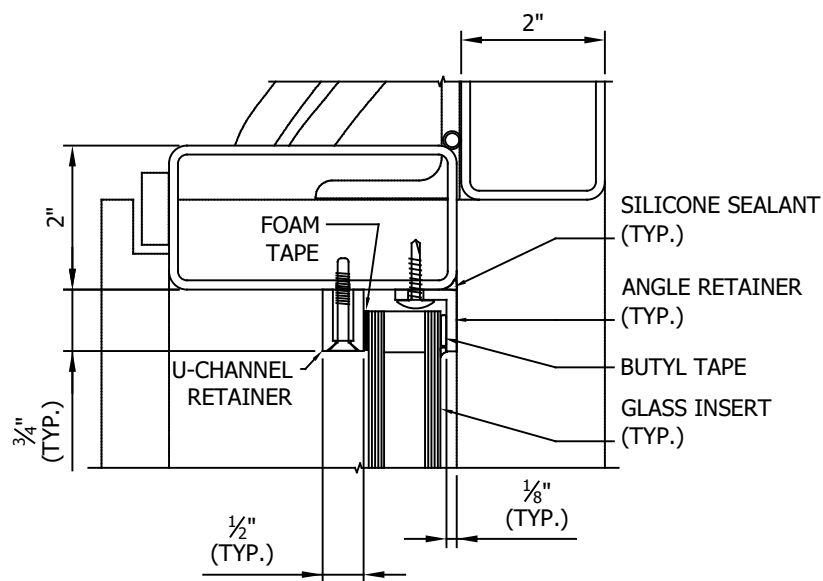
**1** INSIDE-SASH ASSEMBLY  
NO SCALE



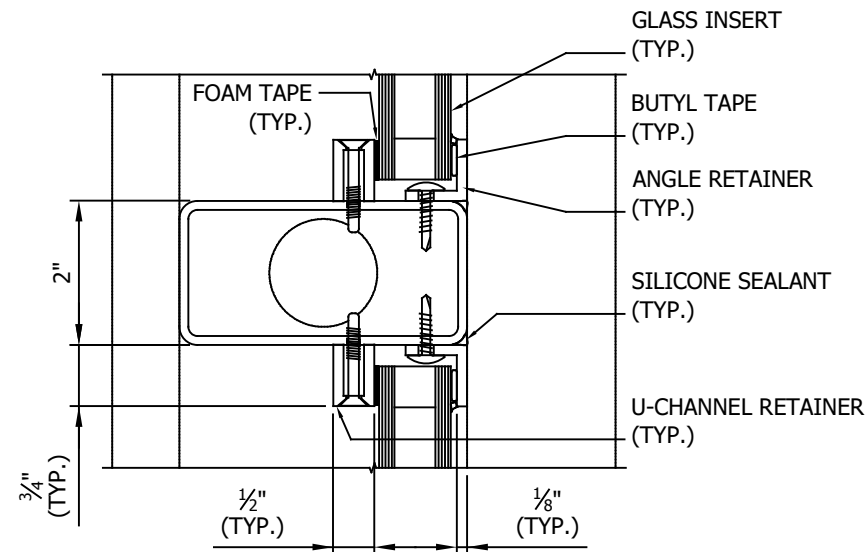
**2** INSIDE-SASH ASSEMBLY  
NO SCALE



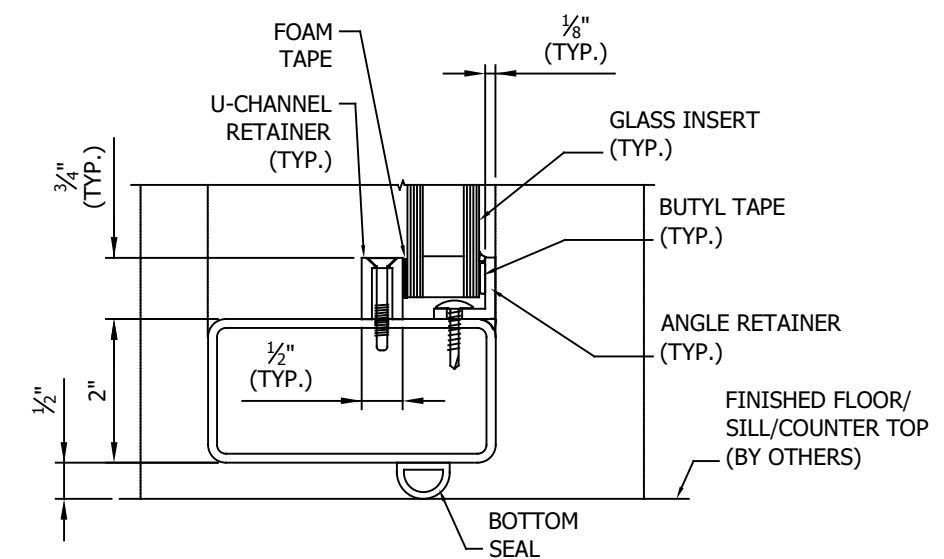
**3** INSIDE-SASH ASSEMBLY  
NO SCALE



**4** INSIDE-SASH ASSEMBLY  
NO SCALE



**5** INSIDE-SASH ASSEMBLY  
NO SCALE



**6** INSIDE-SASH ASSEMBLY  
NO SCALE

**50/50 HYDRAULIC SYSTEM**  
**CROWN DOORS, LLC**  
PLATO, MINNESOTA, 55370

MODEL: 50/50  
DRAWN: 6/2018